

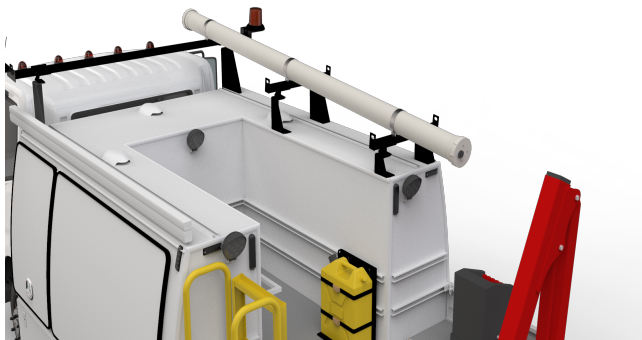


hidrive
MAKE CERTAIN

SERVICE BODY ACCESSORIES

Accessories to fit out your service body to get the job done right.

MADE
HERE, FOR
CERTAIN



CONDUIT CARRIER, WITH LOCKING CAPS (TRUCK)

Conduit carrier with locking end caps.

Options:

- 100 Dia x L3100mm
- 100 Dia x L4100mm
- 150 Dia x L3100mm
- 150 Dia x L4100mm

Features & Benefits:

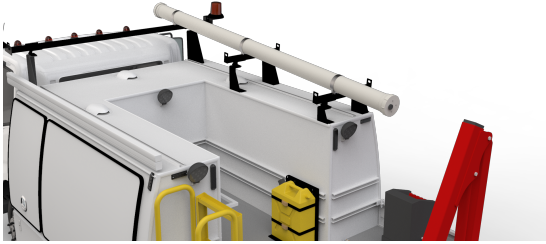
- Securely fastens to side of trades rack or roof bars
- Various sizes available
- End cap has provision for a padlock
- Easy turn ends are reinforced for added durability

Details:

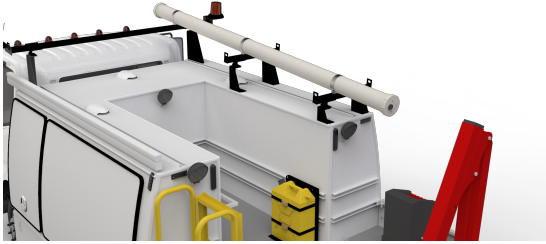
✔ Compatibility	Truck
✔ Warranty	12 Month manufacturers warranty

[VIEW ONLINE](#)

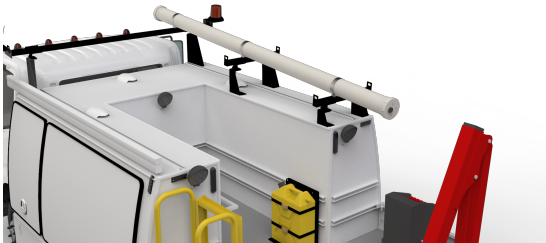
**CONDUIT CARRIER, WITH LOCKING CAPS
(TRUCK) 100 Dia x L3100mm**



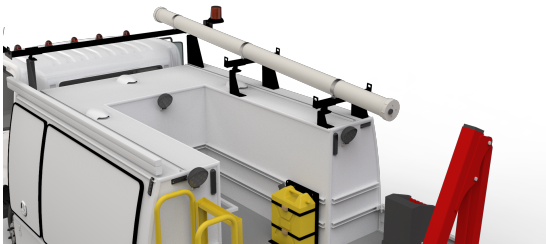
**CONDUIT CARRIER, WITH LOCKING CAPS
(TRUCK) 100 Dia x L4100mm**



**CONDUIT CARRIER, WITH LOCKING CAPS
(TRUCK) 150 Dia x L3100mm**



**CONDUIT CARRIER, WITH LOCKING CAPS
(TRUCK) 150 Dia x L4100mm**





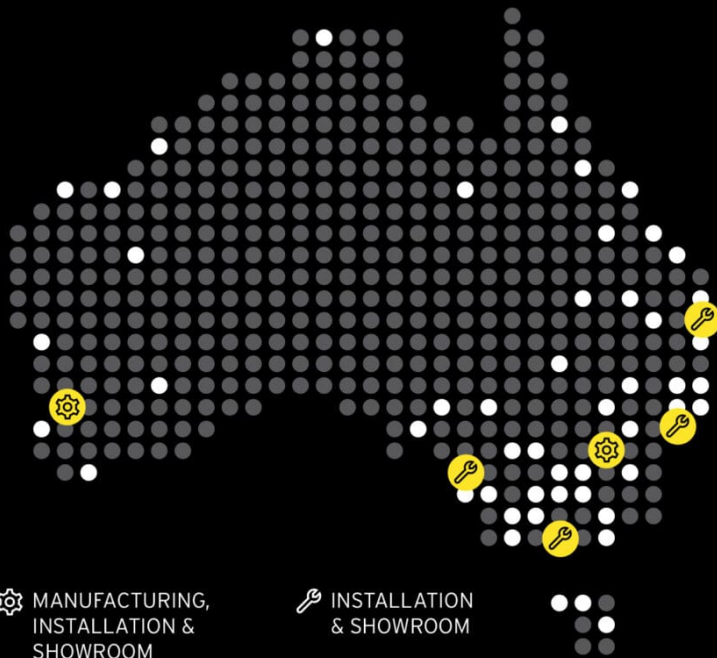


Chat with one of our helpful Mobile Workspace Specialists.

→ 1300 350 625

→ team.aus@hidrive.com.au

→ hidrive.com.au



MANUFACTURING, INSTALLATION & SHOWROOM

INSTALLATION & SHOWROOM

Hidrive is the only manufacturer of service bodies for utes, trailers and trucks with a company-owned national installation network.



Eastern Manufacturing, Installation & Showroom
17 O'Sullivan Pl, Goulburn NSW 2580



Brisbane Showroom & Installation
146 Crockford St, Northgate QLD 4013



Melbourne Showroom & Installation
57 Hunter Rd, Derrimut VIC 3026



Western Manufacturing, Installation & Showroom
18 Catalano Rd, Canning Vale WA 6155



Sydney Showroom & Installation
10 Garner Pl, Ingleburn NSW 2565



Adelaide Showroom & Installation
6 Wirriga St, Regency Park SA 5010